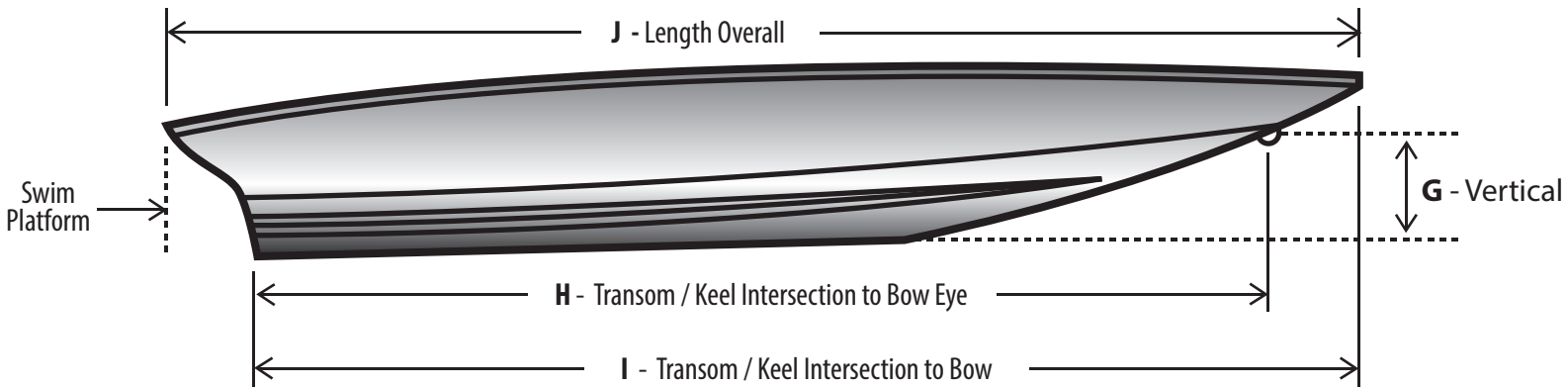
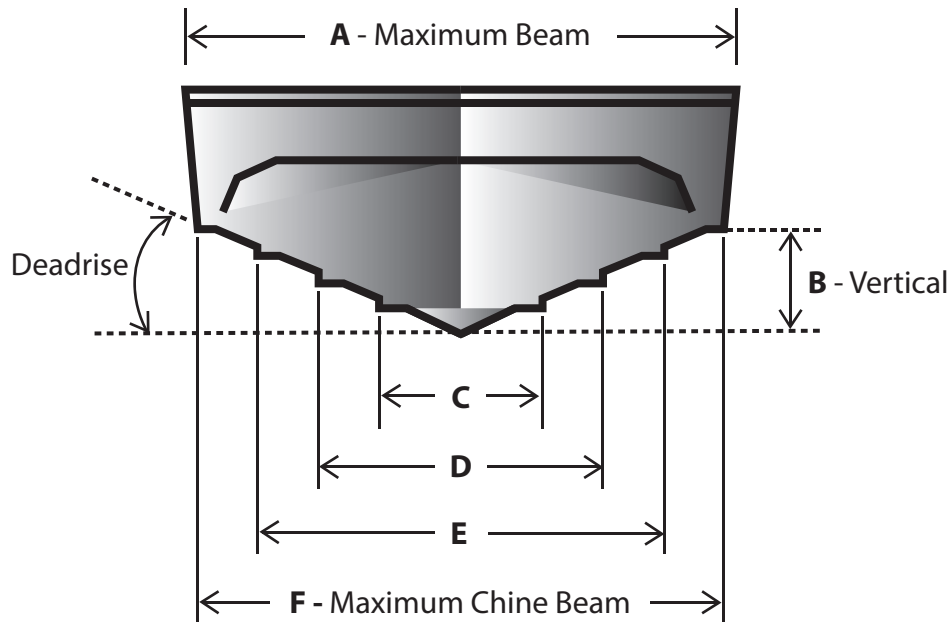




Boat Measuring Template



Your Name: _____

Phone: _____

Business: _____

Email: _____

A _____ **C** _____ **E** _____ **G** _____ **I** _____
B _____ **D** _____ **F** _____ **H** _____ **J** _____